

1.8m Wide High-Speed Inkjet Printer with Water-Based Pigment Ink

Tiger600-1800TS

FOR POSTER PRINTING

Mimaki

High-Volume Poster Printing



Production speed: **220 m²/h**

High-Quality Print Technology x Vibrant Water-Based Pigment Inks (AP50)



Short-term Outdoor Signage



Indoor Posters



Indoor Wall and Booth Decorations



Short-term Outdoor Wall Graphics

*Media printed with water-based pigment inks has limited water resistance.

Vibrant colours and fast drying, delivering sharp, smudge-resistant results.

Highly saturated red, ideal for promotional use



*Images are for illustrative purposes only.

Safe and environmentally friendly ink

- ✓ GREENGUARD Gold Certified
- ✓ Energy-efficient printing at reduced drying temperatures —minimizing CO₂ emissions.



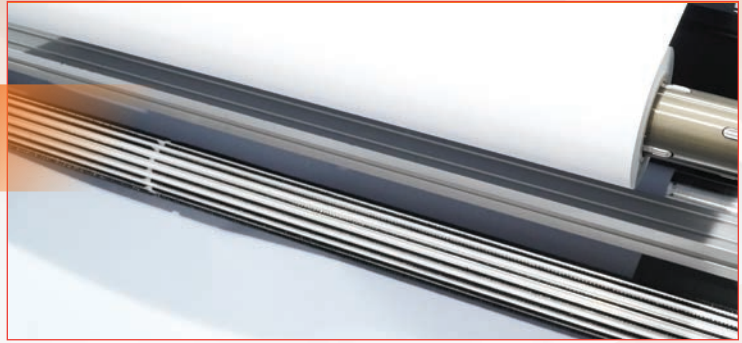
Mimaki
Green Technology



Media transport system that enables high-quality and high-volume production

Three driven rollers prevent media wrinkling, enabling stable operation even at a high production speed of 220 m²/h.

*Mini Jumbo Roll with max. 300kg and 600mm diameter.



Mimaki's technology for high-quality print with stable production

- Waveform Control Technology
- MAPS (Mimaki Advanced Pass System)
- Media Transport System
- Degassing Module
- Nozzle Recovery System
- Flushing Function

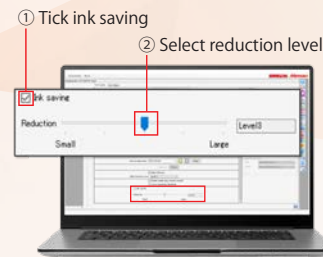
Offered as a total solution, including software, to optimize your production

• Cloud-based monitoring tool

Mimaki Cloud Technology **PICT**

- Monitors printer operation status and ink usage.
- Enables proactive planning for maintenance schedules and ink refills.

• Ink Saving Function



- Optimize ink consumption for each application with just two clicks.
- Produce high-volume posters at even lower cost.

*RasterLink7 Ink Saving Function

Product specifications

Item		Tiger600-1800TS
Print Head		On-demand piezo print head
Number of Print Heads		8 units (4 in-line x 2 staggered layout)
Print Resolution		300dpi, 600dpi, 1200dpi
Max. Print Width		1,850 mm (72.8")
Min. Print Width		210 mm (8.3")
Max. Media Width		1,900 mm (74.8")
Paper Core Diameter		3 inches
Media Roll Diameter		600 mm or less (≤23.6")
Media Weight		300 kg or less (≤661.4 lb.)
Ink	Type/Colours	Water-based pigment inks AP50 (C/M/Y/K)
	Content	10 kg ink tank
Interface		Ethernet 10GBASE-T USB 3.1 and USB 2.0 (via removable storage device)
Operation Method/Software		Built-in touch panel Software: MPC (Mimaki Print Controller)
RIP Software		RasterLink 7
Compatible Standards		ELT Compliant with IEC62368-1, CE marking (EMC Directive, Low Voltage Directive, Machinery Directive, RoHS Directive) CB Certification / REACH / RCM / KC Certification / UKCA
Power Specification		3φ 380-415V ± 5%, 50/60Hz ± 1%, 25A
Operational Environment	Operational Temperature	20-30°C / 68-77°F
	Humidity	35-65% RH (Non-condensing)
	Dust Level	0.15 mg/sqm or less (Equivalent to a general office floor level)
	Max. Operating Altitude	2,000 m
Power Consumption	Max. Operating	15.0kW or less
	Operating Average	6-7kW
	Standby	1.0kW or less
External Dimensions (WxDxH)		5,300 x 2,800 x 1,900 mm (209"x110"x75")
Weight		1,620 kg or less (≤3,572 lb.) ^{*1,2}

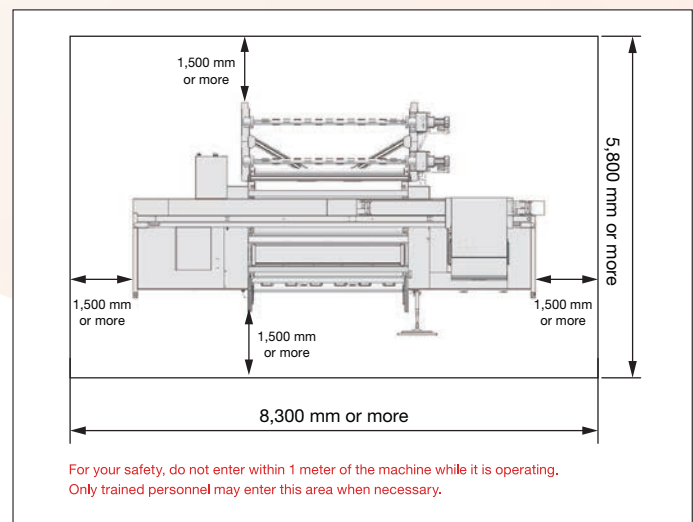
*1: Total of entire system

*2: Paper and ink weight are excluded

Supply Items

Item		Code	Descriptions
Water-based Pigment Inks AP50	Cyan	AP50-C-BJ	10kg Ink tank
	Magenta	AP50-M-BJ	
	Yellow	AP50-Y-BJ	
GREENGUARD Gold Certified	Black	AP50-K-BJ	
Maintenance Liquid	ML03 Bottle	ML003-Z-K1	200 ml bottle

Installation space



•Some examples shown in this catalog are artificial renderings. •Specifications, designs and dimensions shown in this catalog may be subject to change without notice for technical improvements. •The corporate and merchandise names in this catalog are the trademarks or registered trademarks of the respective corporations. •Inkjet printers use extremely fine dots, so colours may vary slightly after replacement of print heads. •Also note that when using multiple printer units, colours could vary slightly from one unit to another due to slight individual differences. •Please note that descriptions and data in this catalog are as of November 2025.



MIMAKI EUROPE BV

Stammerdijk 7E, 1112 AA Diemen, The Netherlands

www.mimakieurope.com | Tel. : +31 20 4627640

@MimakiEurope